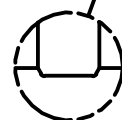
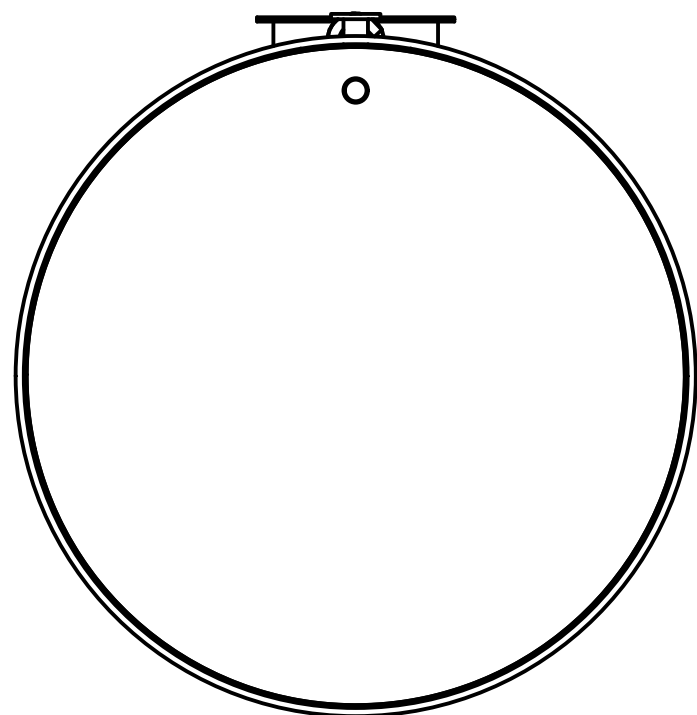
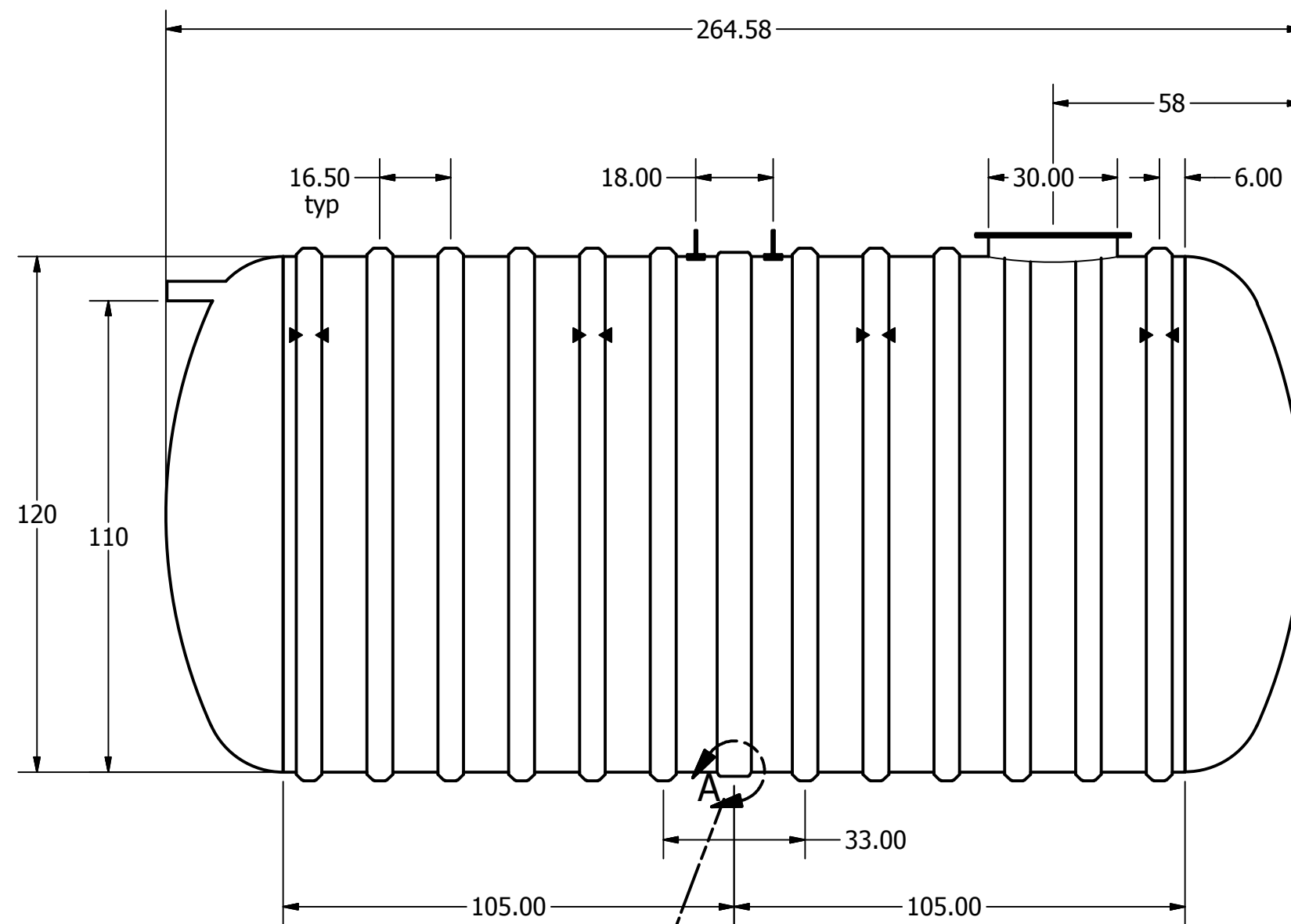
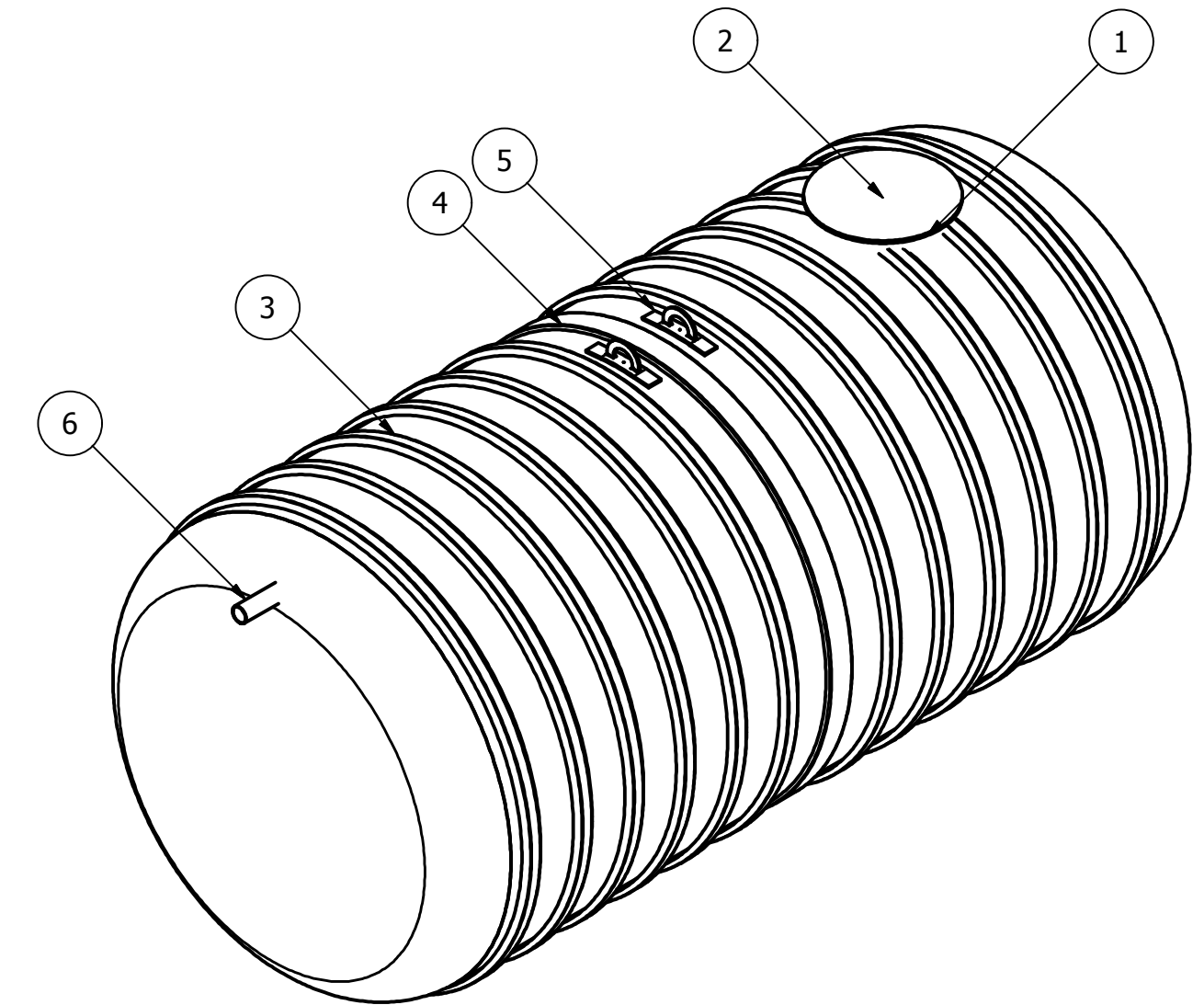
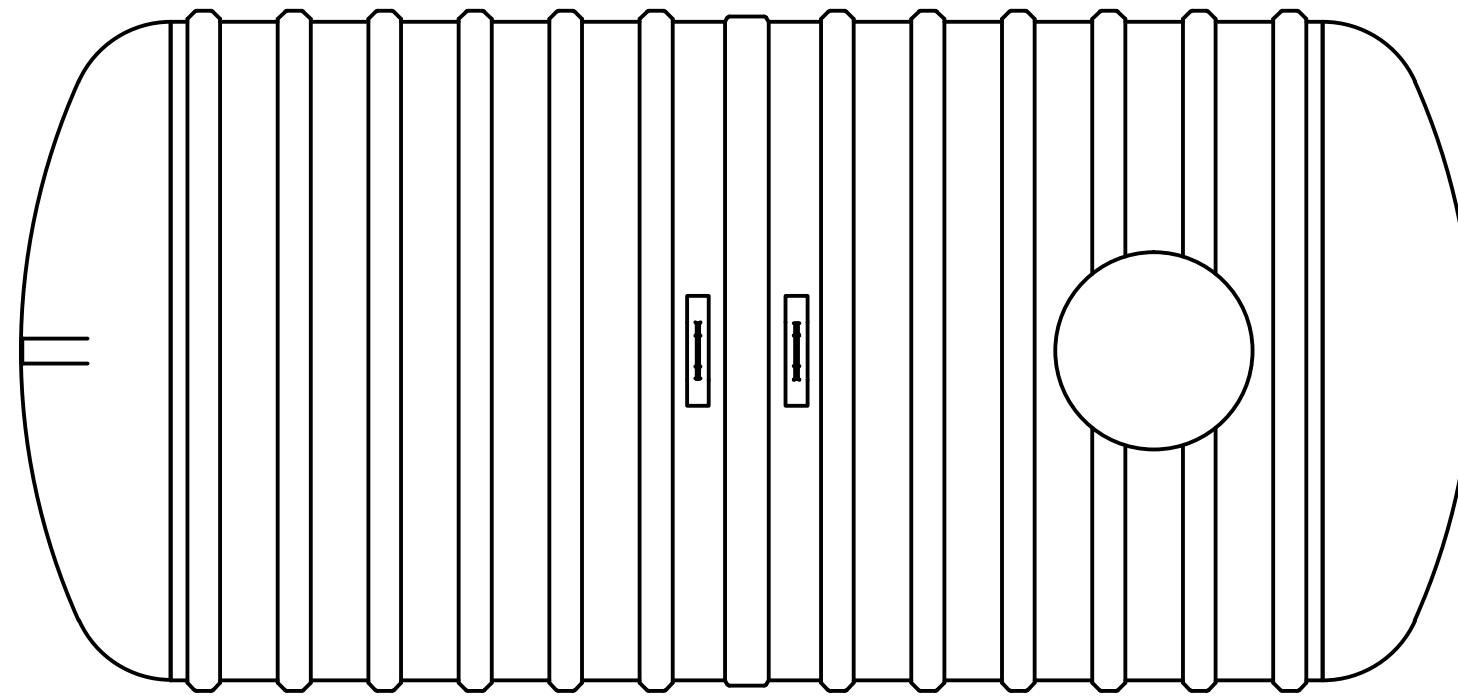


REVISION HISTORY			
REV	DESCRIPTION	DATE	APPROVED
1	RIB SPACING	11/15/2010	JMC
2	DRAWING REVISION	2/12/2014	MPS

PARTS LIST			
ITEM	QTY	PART NUMBER	DESCRIPTION
1	1	C-COLLAR-30IN	30"D COLLAR
2	1	C-LID-30IN-STD	30"D STANDARD LID
3	12	C-RIB	STRUCTURAL RIB
4	1	C-SEAM-10FT	SEAM
5	2	LIFT LUG-PLATE	LIFT LUG
6	1	CONNECTION-4IN-STUB PIPE	4"D STUB PIPE-INLET



SECTIONAL JOINT DETAIL A  
SCALE 1/25

Anchor Location

Item	(")	C	Item	(")
Cylinder Thickness	0.400"		Liquid Depth (holding tank)	110"
End Cap Thickness	0.94"		Septic Chamber Depth	N/A
Inlet Height (C.L.)	112"		Effluent Chamber Depth	N/A
Outlet Height (C.L.)	N/A		Chamber Wall Dimensions	N/A
Inlet Diameter	4"		Height:	N/A
Outlet Diameter	N/A		Thickness:	N/A
Rib Dimension (C to C)	16.5"		Opening Diameter:	N/A

DRAWN	marks	2/12/2014	TITLE	BX10000S UNDERGROUND FIBREGLASS SEWAGE HOLDING TANK	
CHECKED					
MFG	BAL				
APPROVED	JMC		SIZE	DWG NO	REV
WEIGHT	1,996 kg (4,400 lbs)	LENGTH	C	BX10000S-02	2
WORKING CAPACITY	43,750L (9,624 IG, 11,549 USG)		SCALE	7' Burial Depth	SHEET 1 OF 2
OVERALL CAPACITY	45,398L (9,986 IG, 11,983 USG)				