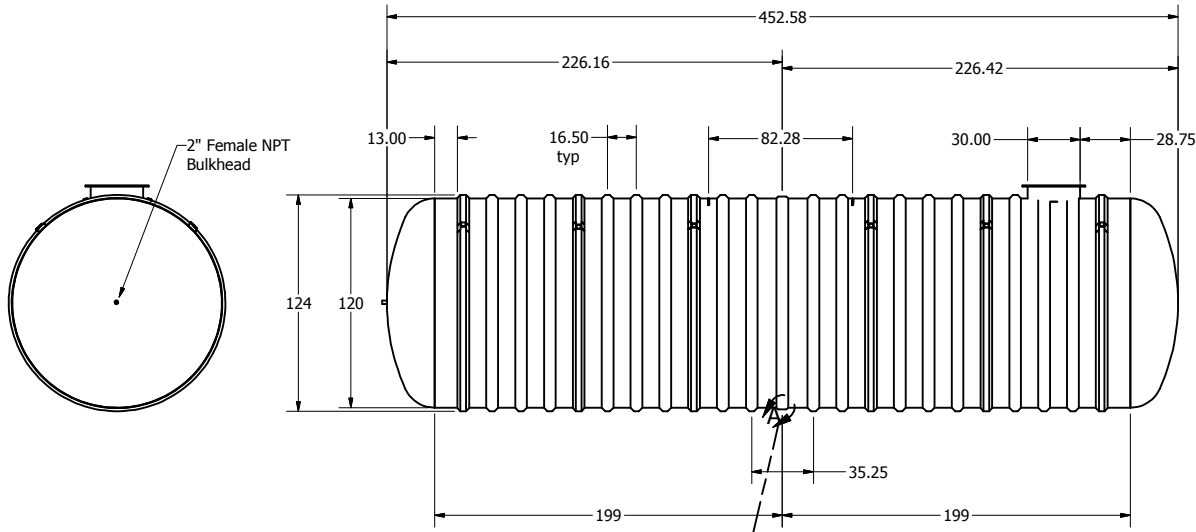
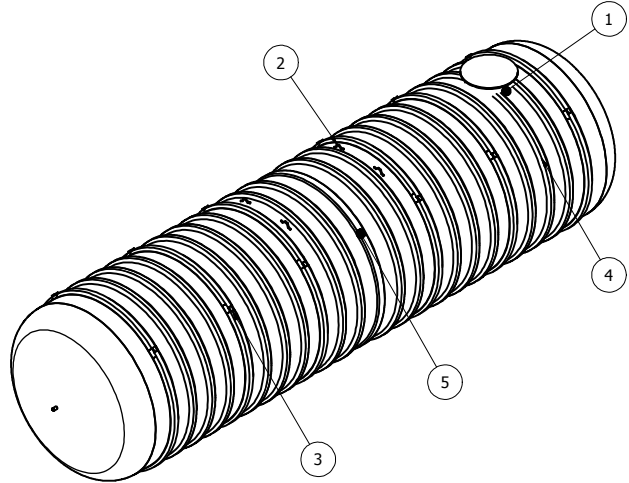
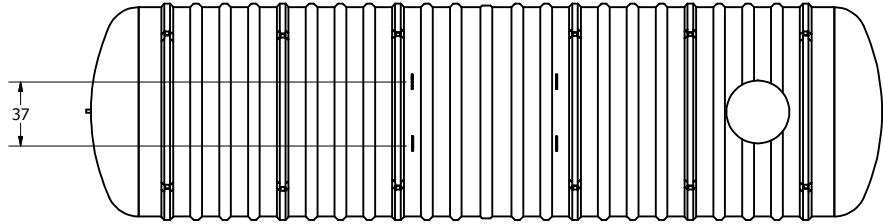


Parts List			
ITEM	QTY	PART NUMBER	DESCRIPTION
1	1	C-COLLAR-30IN	30"D COLLAR
2	4	LIFT-LUG-8-10	LIFT LUG
3	6	C-RIB-GUIDE	STRUCTURAL RIB WITH ANCHOR GUIDE
4	16	C-RIB	STRUCTURAL RIB
5	1	SEAM-10FT	SEAM



SECTIONAL JOINT DETAIL A
SCALE 1/25

OPTIONAL	PARTS
30"X12" EXTENSION	ANCHORS
30"X30" EXTENSION	FOAM INSULATION
30"X60" EXTENSION	LOCK BAR
30"X84" EXTENSION	OPTIONAL FITTING(S)
ALARM	PUMP STAND

DRAWN	MPS	3/6/2008
CHECKED		
QA		
MFG		
DCL		
APPROVED		
DCL		
CAPACITY	LENGTH	
79,555L	37' 9"	
(17,500 IG)		

TITLE		BX17500W UNDERGROUND FIBREGLASS WATER CISTERN	
 Drinking Water <small>NSF/ANSI 61</small>		 FRP MANUFACTURING (2010) INC.	
SIZE	DWG NO	REV	
C	BX17500W	1	
SCALE	SHEET 1 OF 1		