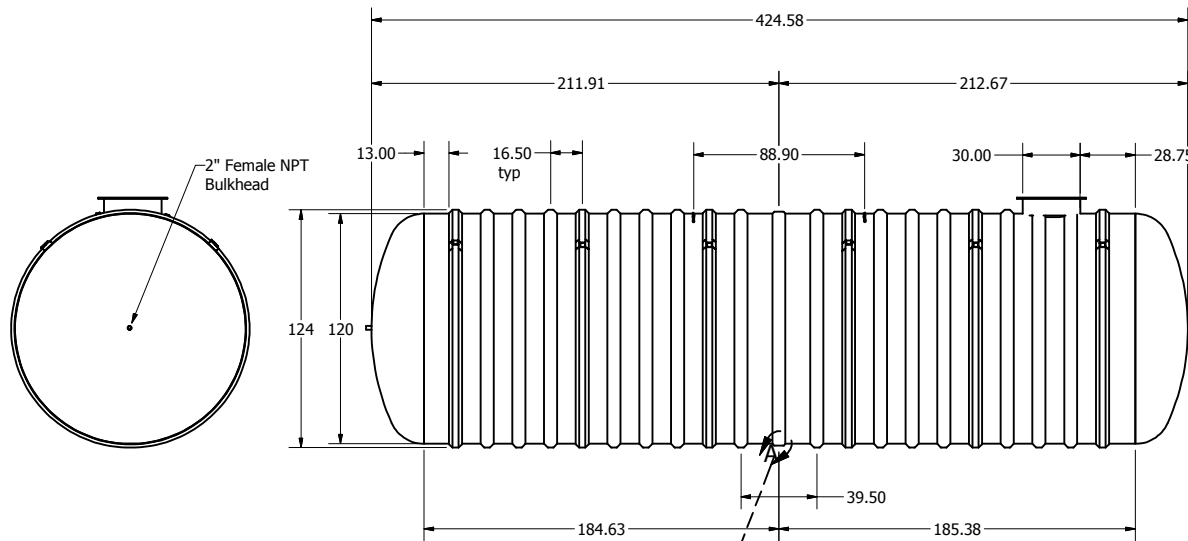
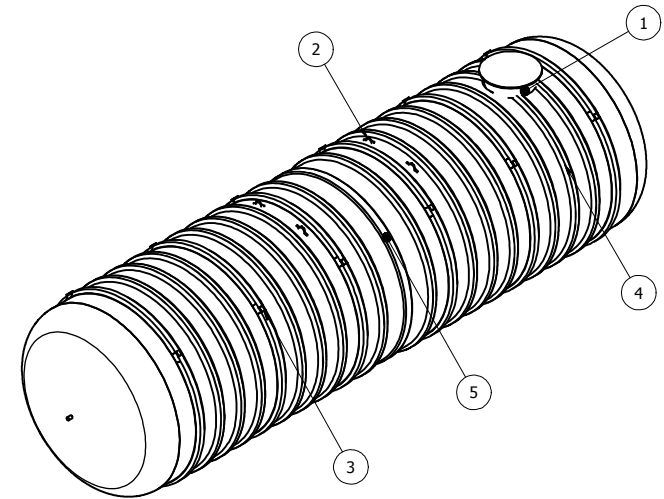
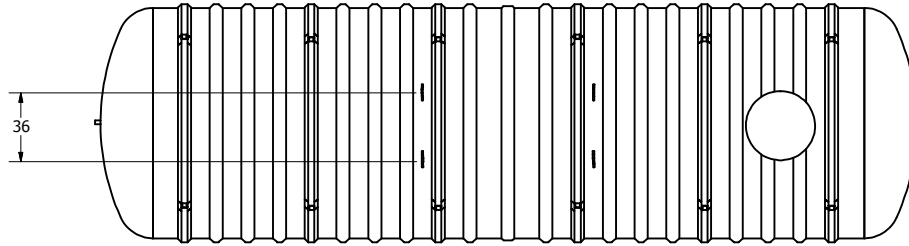




Parts List			
ITEM	QTY	PART NUMBER	DESCRIPTION
1	1	C-COLLAR-30IN	30"D COLLAR
2	4	LIFT-LUG-8-10	LIFT LUG
3	6	C-RIB-GUIDE	STURUCTURAL RIB WITH ANCHOR GUIDE
4	14	C-RIB	STRUCTURAL RIB
5	1	SEAM-10FT	SEAM



6mm x 200mm min. FRP bond on Outside

SECTIONAL JOINT DETAIL A  
SCALE 1 / 25

OPTIONAL	PARTS
30"X12" EXTENSION	ANCHORS
30"X30" EXTENSION	FOAM INSULATION
30"X60" EXTENSION	LOCK BAR
30"X84" EXTENSION	OPTIONAL FITTING(S)
ALARM	PUMP STAND

DRAWN MPS	3/6/2008	TITLE BX16000W UNDERGROUND FIBREGLASS WATER CISTERN	
CHECKED		 	
QA		<small>Drinking Water NSF/ANSI 61</small>	
MFG DCL		SIZE C	DWG NO BX16000W
APPROVED		SCALE	REV 1
DCL			
CAPACITY 72,736L (16,000 IG)	LENGTH 35' 5"		SHEET 1 OF 1