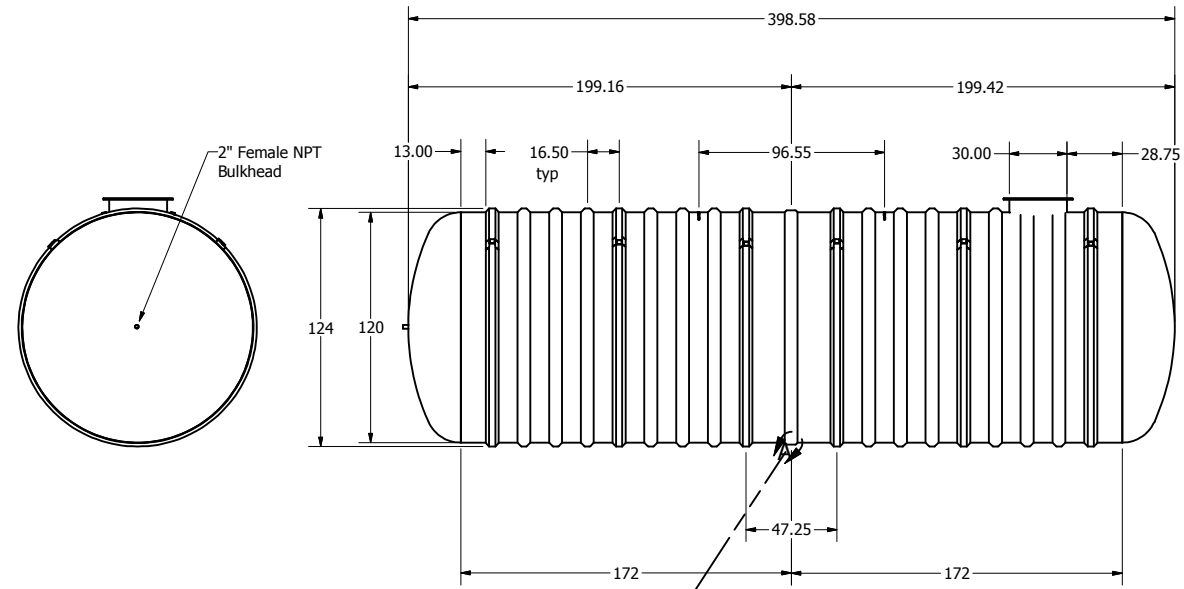
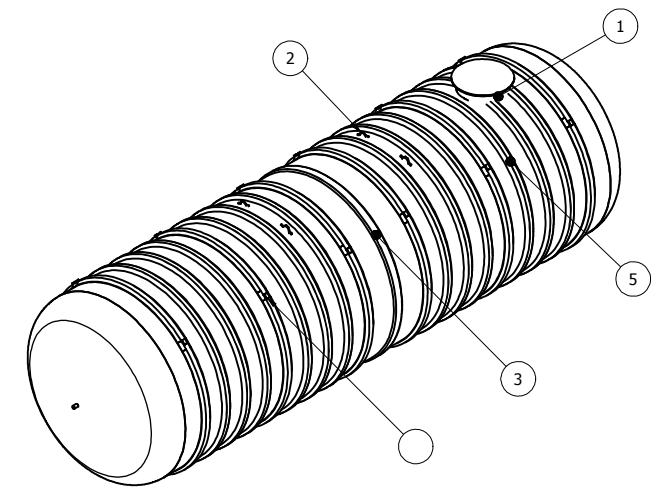
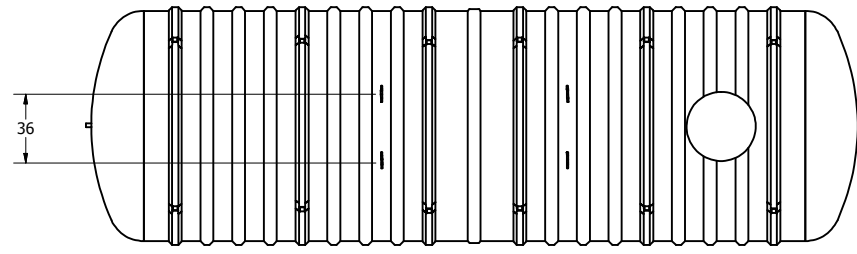


Parts List			
ITEM	QTY	PART NUMBER	DESCRIPTION
1	1	C-COLLAR-30IN	30"D COLLAR
2	4	LIFT-LUG-8-10	LIFT LUG
3	1	SEAM-10FT	SEAM
	6	C-RIB-GUIDE	STURUCTURAL RIB WITH ANCHOR GUIDE
5	12	C-RIB	STRUCTURAL RIB





6mm x 200mm min. FRP bond on Outside

SECTIONAL JOINT DETAIL A  
SCALE 1 / 25

OPTIONAL	PARTS
30"x12" EXTENSION	ANCHORS
30"x30" EXTENSION	FOAM INSULATION
30"x60" EXTENSION	LOCK BAR
30"x84" EXTENSION	OPTIONAL FITTING(S)
ALARM	PUMP STAND

DRAWN	MPS	3/6/2008
CHECKED		
QA		
MFG		
DCL		
APPROVED		
DCL		
CAPACITY	LENGTH	
68,190L	33' 3"	
(15,000 IG)		

TITLE		BX15000W UNDERGROUND FIBREGLASS WATER CISTERN	
 Drinking Water NSF/ANSI 61		 MANUFACTURING (2010) INC.	
SIZE	C	DWG NO	BX15000W
SCALE			
		REV	1