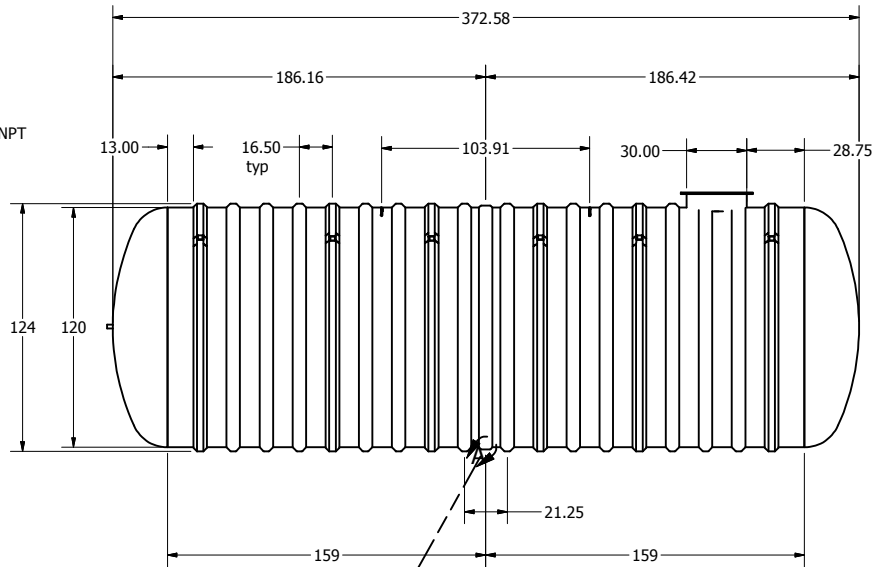
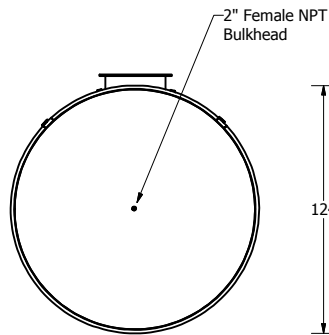
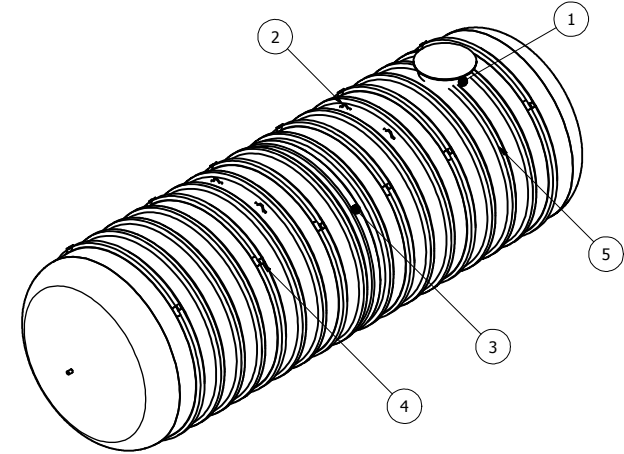
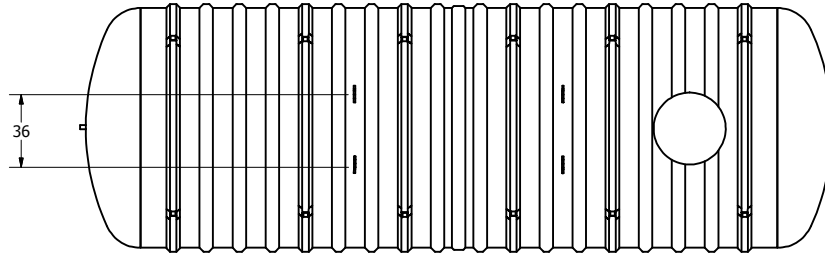


Parts List			
ITEM	QTY	PART NUMBER	DESCRIPTION
1	1	C-COLLAR-30IN	30"D COLLAR
2	4	LIFT-LUG-8-10	LIFT LUG
3	1	SEAM-10FT	SEAM
4	6	C-RIB-GUIDE	STURCTURAL RIB WITH ANCHOR GUIDE
5	12	C-RIB	STRUCTURAL RIB





6mm x 200mm min. FRP bond on Outside

SECTIONAL JOINT DETAIL A
SCALE 1/25

OPTIONAL	PARTS
30"X12" EXTENSION	ANCHORS
30"X30" EXTENSION	FOAM INSULATION
30"X60" EXTENSION	LOCK BAR
30"X84" EXTENSION	OPTIONAL FITTING(S)
ALARM	PUMP STAND

DRAWN	MPS	3/6/2008
CHECKED		
QA		
MFG		
DCL		
APPROVED		
DCL		
CAPACITY	LENGTH	
63,644L	31' 1"	
(14,000 IG)		

TITLE		REV	
BX14000W UNDERGROUND FIBREGLASS WATER CISTERN		1	
 Drinking Water NSF/ANSI 61			
SIZE	DWG NO		
C	BX14000W		
SCALE			SHEET 1 OF 1