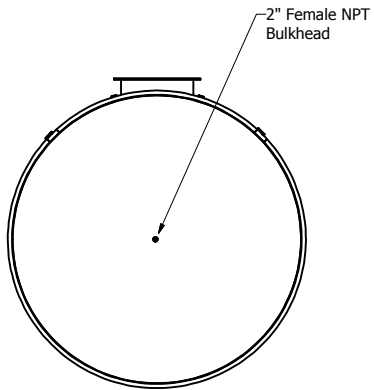
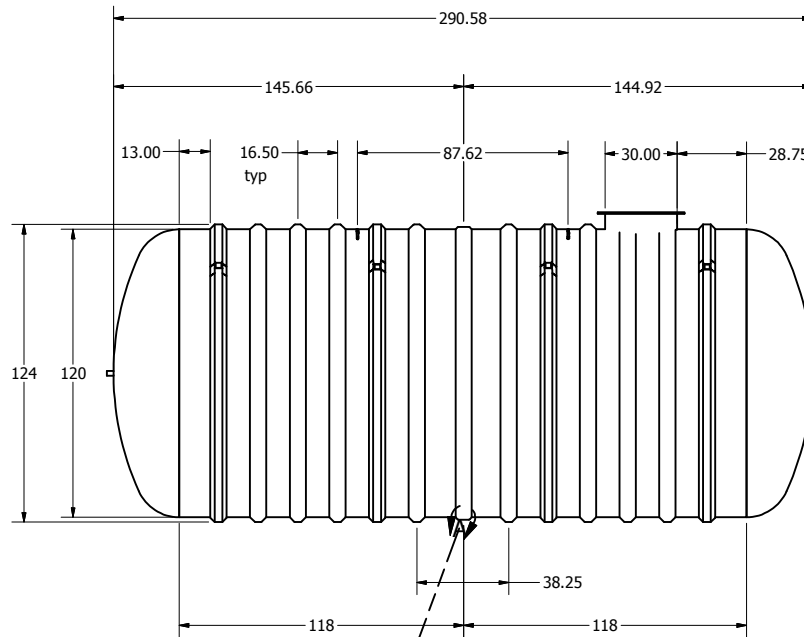
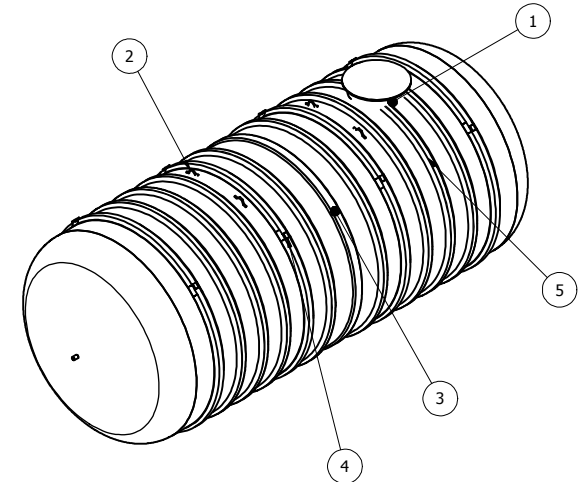
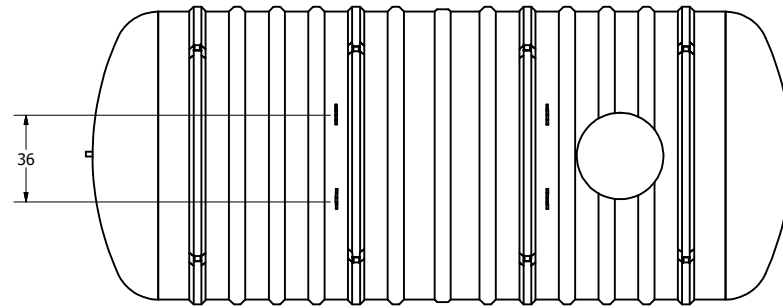


Parts List			
ITEM	QTY	PART NUMBER	DESCRIPTION
1	1	C-COLLAR-30IN	30"D COLLAR
2	4	LIFT-LUG-8-10	LIFT LUG
3	1	SEAM-10FT	SEAM
4	4	C-RIB-GUIDE	STURUCTURAL RIB WITH ANCHOR GUIDE
5	8	C-RIB	STRUCTURAL RIB



6mm x 200mm min. FRP bond on Outside

SECTIONAL JOINT DETAIL A  
SCALE 1/25

OPTIONAL	PARTS
30"X12" EXTENSION	ANCHORS
30"X30" EXTENSION	FOAM INSULATION
30"X60" EXTENSION	LOCK BAR
30"X84" EXTENSION	OPTIONAL FITTING(S)
ALARM	PUMP STAND

DRAWN	MPS	3/5/2008
CHECKED		
QA		
MFG		
DCL		
APPROVED		
DCL		
CAPACITY	LENGTH	
50,006L	24' 3"	
(11,000 IG)		

TITLE		REV	
BX11000W UNDERGROUND FIBREGLASS WATER CISTERN		1	
 Drinking Water NSF/ANSI 61	 <b>FRP</b> MANUFACTURING (2010) INC.		
	SIZE	DWG NO	
C	BX11000W		
SCALE		SHEET 1 OF 1	