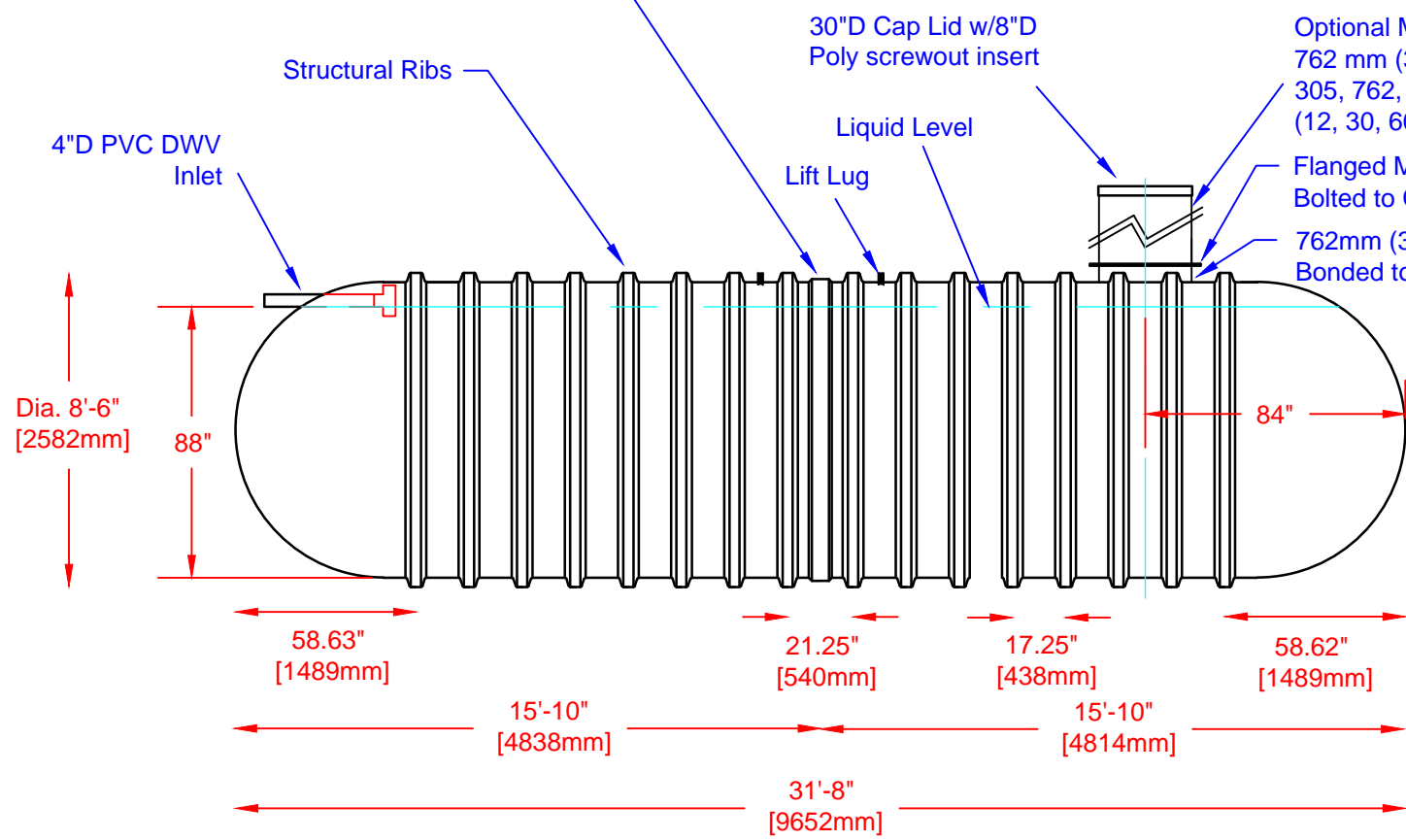
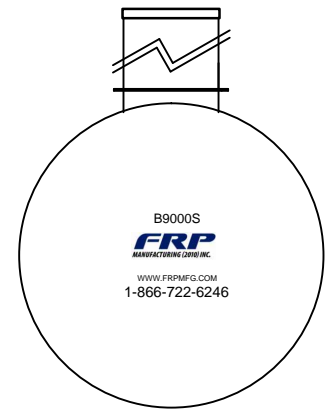


Specifications			
Cylinder Thickness	0.375"	Liquid Depth (holding tank)	88"
End Cap Thickness	0.475"	Septic Chamber Depth	N/A
Inlet Height (C.L.)	90"	Effluent Chamber Depth	N/A
Outlet Height (C.L.)	N/A	Chamber Wall dimensions	
Inlet Diameter	4"	Height:	N/A
Outlet Diameter	N/A	Thickness:	N/A
Rib Dimension (C to C)	17.25"	Opening Diameter:	N/A



Optional Manway:  
 762 mm (30") dia. X  
 305, 762, 1524 or 2134 mm  
 (12, 30, 60 or 84") height  
 Flanged Manway is Bolted to Collar  
 762mm (30") dia. Collar Bonded to Tank



Various fittings available including bulkhead fittings, pipe, flanged fittings, vents, etc. at extra cost.

**FRP**  
**MANUFACTURING (2010) INC.**  
 Website: [www.frpmfg.com](http://www.frpmfg.com)  
 Toll Free: 1-866-722-6246

B9000S FIBREGLASS SEWAGE HOLDING TANK		DATE: 01-30-2014	REV: 2
Overall Length:	Approx. 9,652mm (31'8")	BY: MPS	
Overall Weight:	Approx. 1,568 kg (3,450 lbs)	BURIAL DEPTH: 7 Ft	
Working Capacity:	Approx. 39,780L (8,750 Imp Gal, 10,500 US Gal)	DATE:	
Overall Capacity:	Approx. 41,264L (9,076 Imp Gal, 10,891 US Gal)	APPROVAL:	

