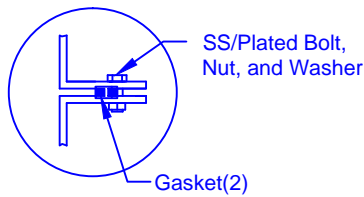
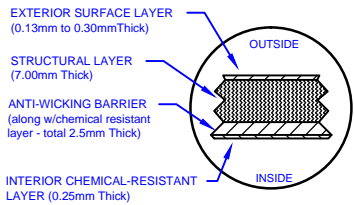


LAMINATE DETAIL

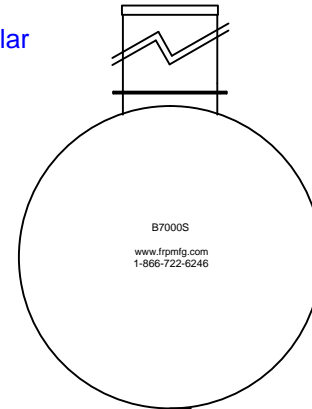
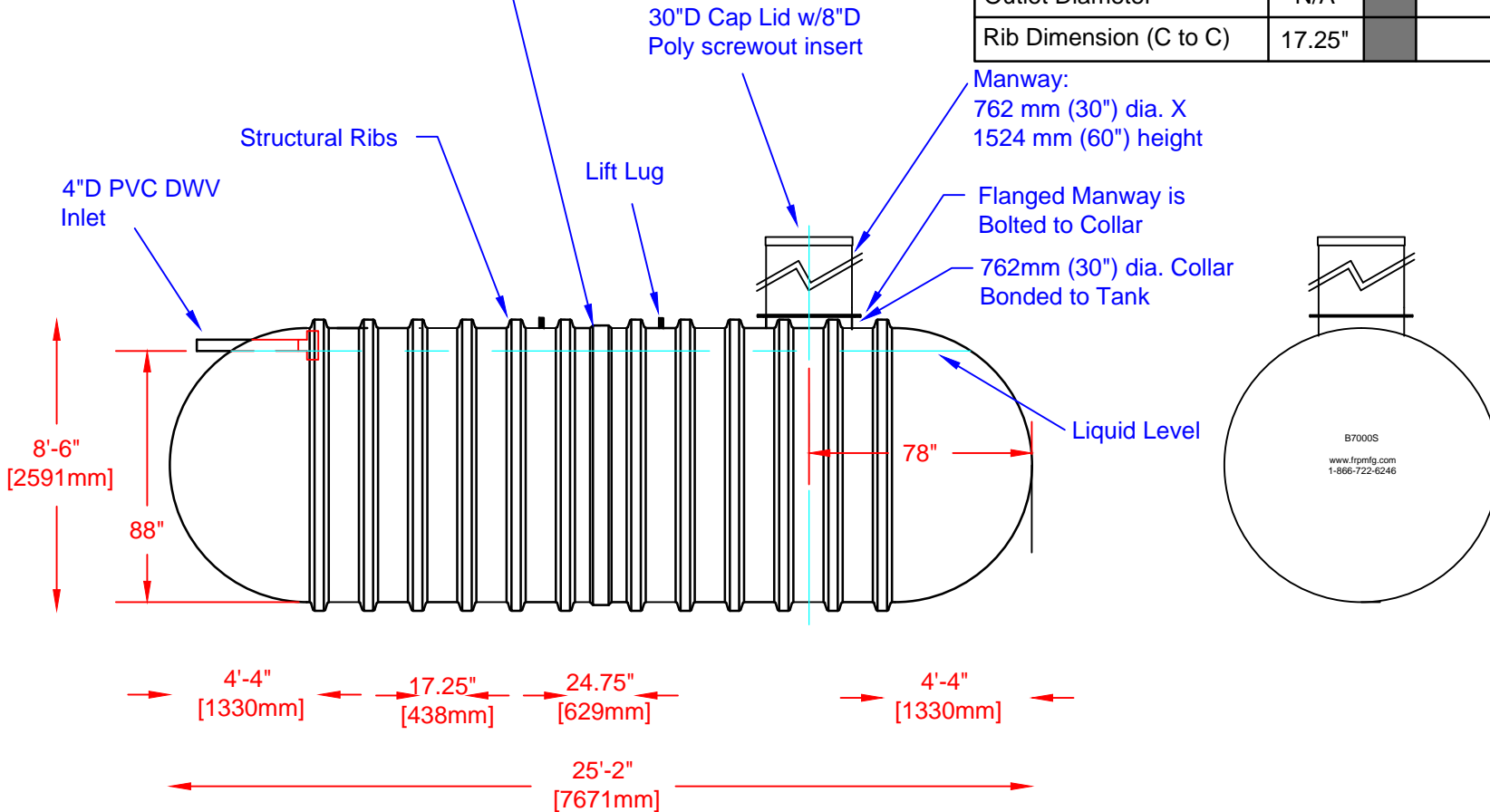
SECTION-JOINT DETAIL

FLANGE CONNECTION DETAIL



Specifications

Cylinder Thickness	0.375"	Liquid Depth (holding tank)	88"
End Cap Thickness	0.475"	Septic Chamber Depth	N/A
Inlet Height (C.L.)	90"	Effluent Chamber Depth	N/A
Outlet Height (C.L.)	N/A	Chamber Wall dimensions	
Inlet Diameter	4"	Height:	N/A
Outlet Diameter	N/A	Thickness:	N/A
Rib Dimension (C to C)	17.25"	Opening Diameter:	N/A



Website: www.frpmfg.com
Toll Free: 1-866-722-6246

B7000S FIBREGLASS SEWAGE HOLDING TANK		DATE: 01-30-2014	REV: 2
Overall Length:	Approx. 7,671mm (25'2")	BY: MPS	
Overall Weight:	Approx. 1,270 kg (2,800 lbs)	BURIAL DEPTH: 7 Ft	
Working Capacity:	Approx. 30,890L (6,795 Imp Gal, 8,154 US Gal)	DATE:	
Overall Capacity:	Approx. 32,016L (7,042 Imp Gal, 8,450 US Gal)	APPROVAL:	

