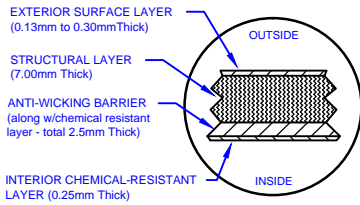


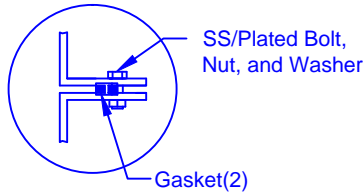
LAMINATE DETAIL



SECTION-JOINT DETAIL

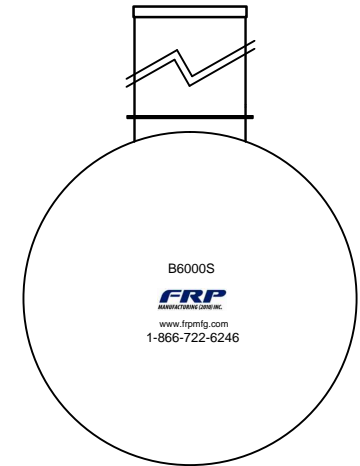
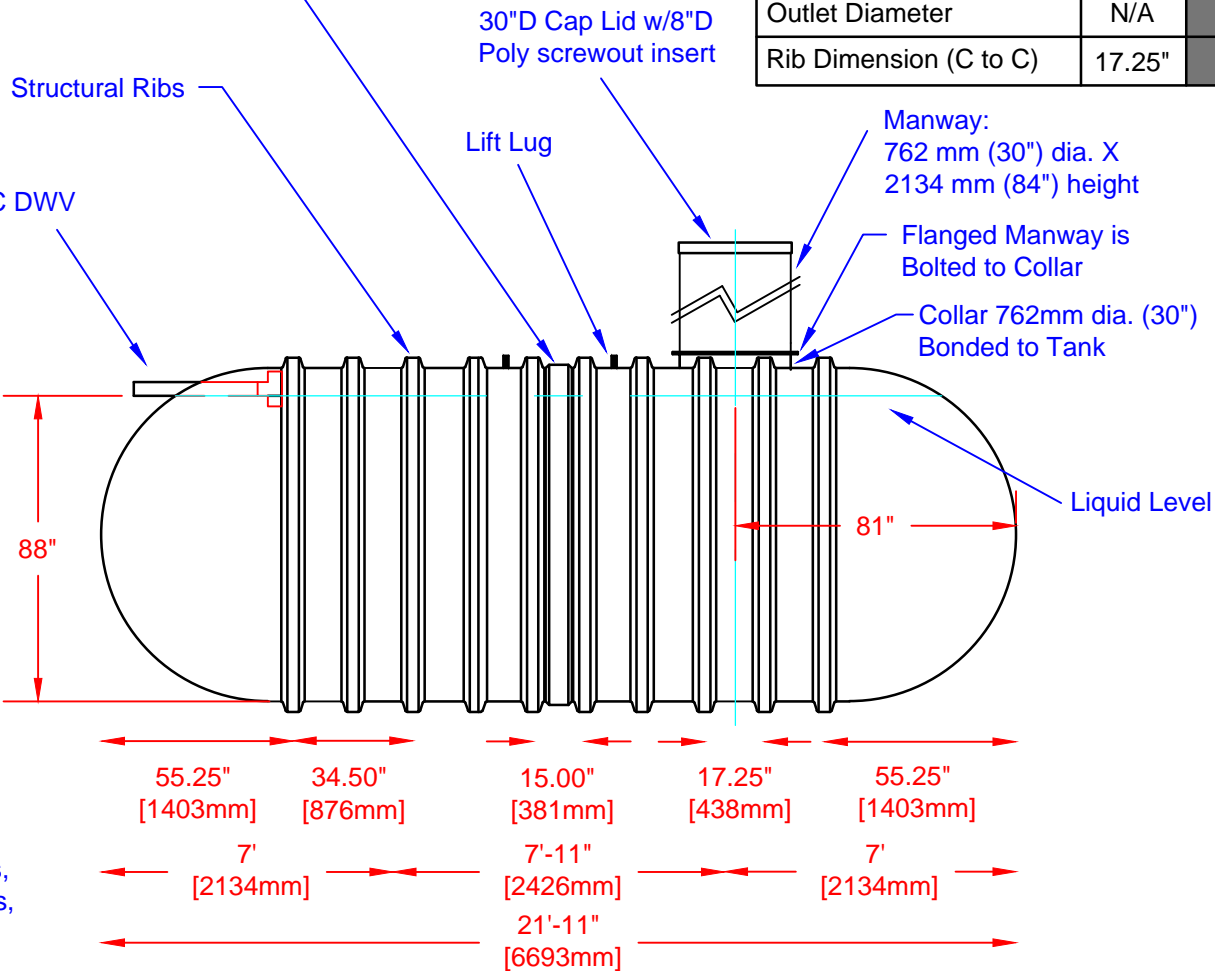


FLANGE CONNECTION DETAIL



Specifications

Cylinder Thickness	0.375"	Liquid Depth (holding tank)	88"
End Cap Thickness	0.475"	Septic Chamber Depth	N/A
Inlet Height (C.L.)	90"	Effluent Chamber Depth	N/A
Outlet Height (C.L.)	N/A	Chamber Wall dimensions	
Inlet Diameter	4"	Height:	N/A
Outlet Diameter	N/A	Thickness:	N/A
Rib Dimension (C to C)	17.25"	Opening Diameter:	N/A



Various fittings available including bulkhead fittings, pipe, flanged fittings, vents, etc. at extra cost.

<p>Website: www.frpmfg.com Toll Free: 1-866-722-6246</p>	B6000S FIBREGLASS SEWAGE HOLDING TANK		DATE: 01-30-2014	REV: 2
	Overall Length:	Approx. 6,693mm (21'11")	BY: MPS	
	Overall Weight:	Approx. 1,111 kg (2,450 lbs)	BURIAL DEPTH: 7 Ft	
	Working Capacity:	Approx. 22,120L (4,866 Imp Gal, 5,839 US Gal)	DATE:	
	Overall Capacity:	Approx. 22,886L (5,034 Imp Gal, 6,040 US Gal)	APPROVAL:	

