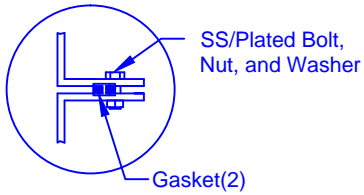


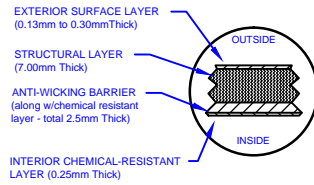
**FLANGE CONNECTION DETAIL**



**SECTION-JOINT DETAIL**

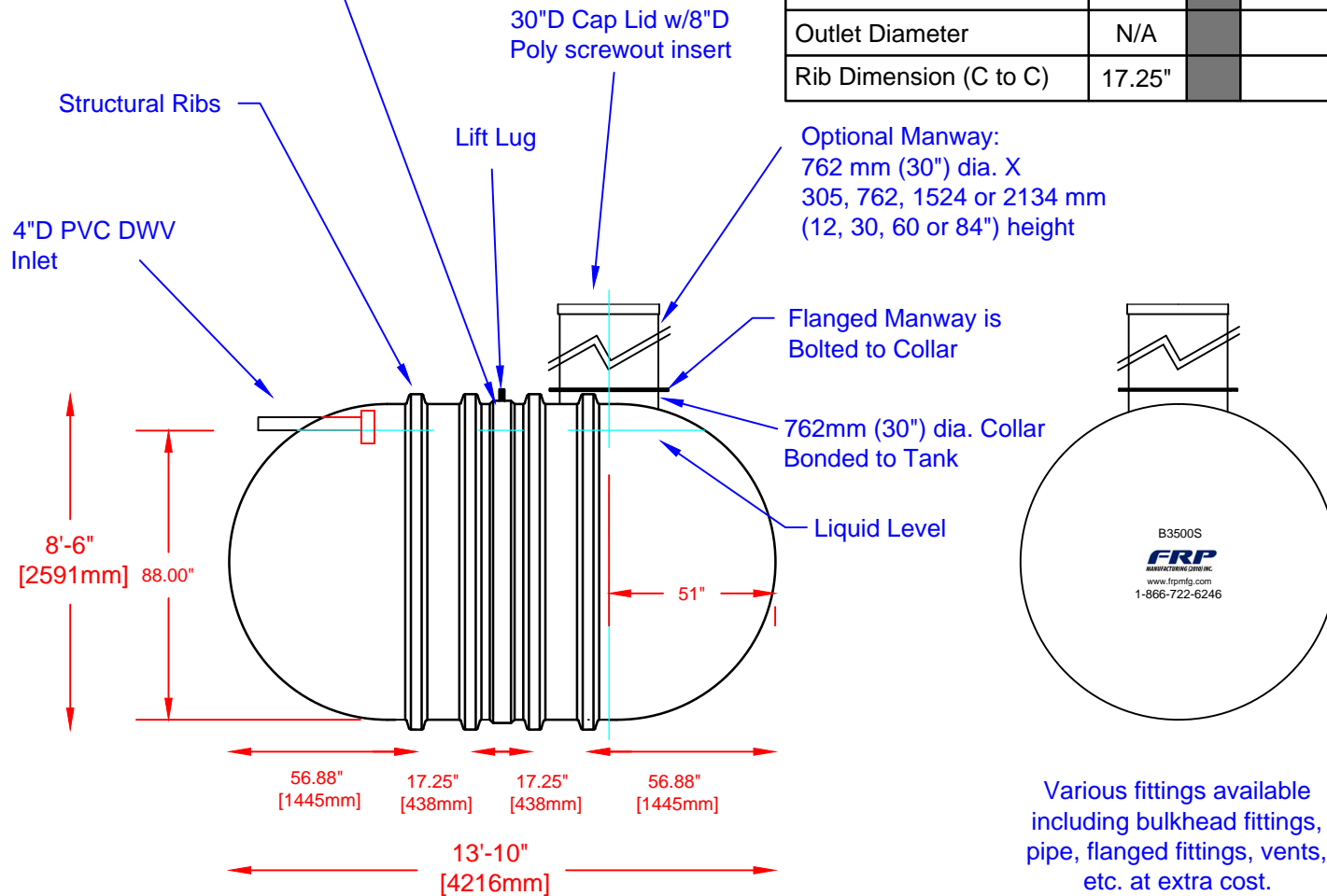


**LAMINATE DETAIL**



**Specifications**

Cylinder Thickness	0.375"	Liquid Depth (holding tank)	88"
End Cap Thickness	0.475"	Septic Chamber Depth	N/A
Inlet Height (C.L.)	90"	Effluent Chamber Depth	N/A
Outlet Height (C.L.)	N/A	Chamber Wall dimensions	
Inlet Diameter	4"	Height:	N/A
Outlet Diameter	N/A	Thickness:	N/A
Rib Dimension (C to C)	17.25"	Opening Diameter:	N/A



Various fittings available including bulkhead fittings, pipe, flanged fittings, vents, etc. at extra cost.



Website: [www.frpmfg.com](http://www.frpmfg.com)  
Toll Free: 1-866-722-6246

B3500S FIBREGLASS SEWAGE HOLDING TANK		DATE: 01-30-2014	REV: 2
Overall Length:	Approx. 4,216mm (13'10" )	BY: MPS	
Overall Weight:	Approx. 703 kg (1,550 lbs)	BURIAL DEPTH: 7 Ft	
Working Capacity:	Approx. 15,410L (3,390 Imp Gal, 4,068 US Gal)	DATE:	
Overall Capacity:	Approx. 15,911L (3,500 Imp Gal, 4,200 US Gal)	APPROVAL:	

