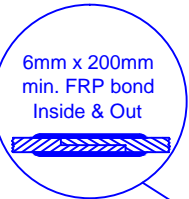


**SECTION-JOINT DETAIL**



30"D Cap Lid w/8"D Poly screwout insert

Optional Manway:  
762 mm (30") dia. X  
305, 762, 1524 or 2134 mm  
(12, 30, 60, or 84") height

Lift Lug

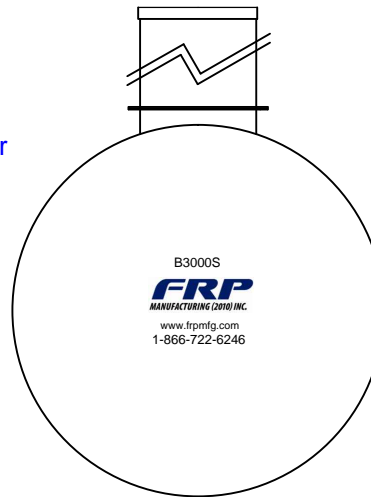
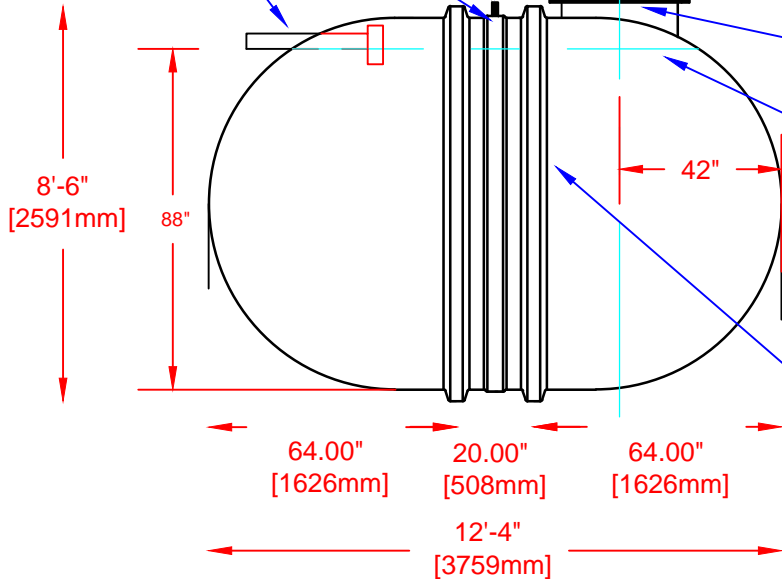
4"D PVC DWV Inlet

Flanged Manway is Bolted to Collar

762mm (30") dia. Collar Bonded to Tank

Liquid Level

Structural Ribs



**Specifications**

Cylinder Thickness	0.375"	Liquid Depth (holding tank)	88"
End Cap Thickness	0.475"	Septic Chamber Depth	N/A
Inlet Height (C.L.)	90"	Effluent Chamber Depth	N/A
Outlet Height (C.L.)	N/A	Chamber Wall dimensions	
Inlet Diameter	4"	Height:	N/A
Outlet Diameter	N/A	Thickness:	N/A
Rib Dimension (C to C)	17.25"	Opening Diameter:	N/A

Various fittings available including bulkhead fittings, pipe, flanged fittings, vents, etc. at extra cost.

Accessories available such as pump stand, divider wall(s), 2nd manway, lock bar for lid, etc. at extra cost.

**FRP**  
MANUFACTURING (2010) INC.

Website: [www.frpmfg.com](http://www.frpmfg.com)  
Toll Free: 1-866-722-6246

**B3000S FIBREGLASS SEWAGE HOLDING TANK**

DATE: 01-30-2014 REV: 2

Overall Length:	Approx. 3,759mm (12'4")
Overall Weight:	Approx. 612 kg (1,350 lbs)
Working Capacity:	Approx. 13,350L (2,936 Imp Gal, 3,523 US Gal)
Overall Capacity:	Approx. 13,638L (3,000 Imp Gal, 3,600 US Gal)

BY: MPS
BURIAL DEPTH: 7 Ft
DATE:
APPROVAL:

