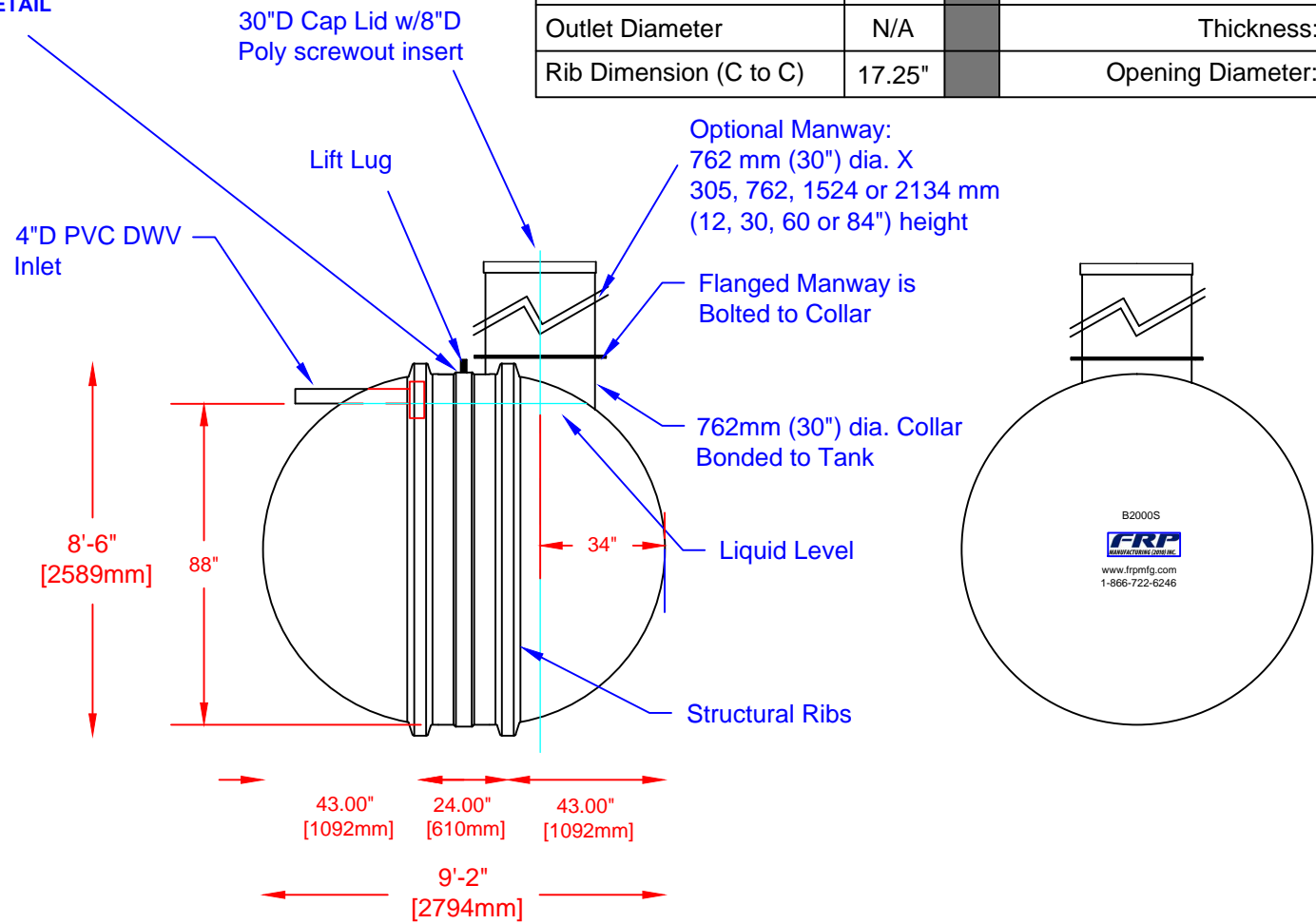
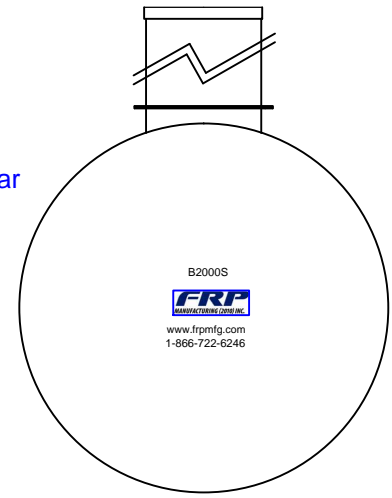


Specifications			
Cylinder Thickness	0.375"	Liquid Depth (holding tank)	88"
End Cap Thickness	0.475"	Septic Chamber Depth	N/A
Inlet Height (C.L.)	90"	Effluent Chamber Depth	N/A
Outlet Height (C.L.)	N/A	Chamber Wall dimensions	
Inlet Diameter	4"	Height:	N/A
Outlet Diameter	N/A	Thickness:	N/A
Rib Dimension (C to C)	17.25"	Opening Diameter:	N/A



Various fittings available including bulkhead fittings, pipe, flanged fittings, vents, etc. at extra cost.

Accessories available such as pump stand, 2nd manway, ladder, lock bar for lid, etc. at extra cost.



FRP
 MANUFACTURING (2010) INC.
 Website: www.frpmlg.com
 Toll Free: 1-866-722-6246

B2000S FIBREGLASS SEWAGE HOLDING TANK		DATE: 01-30-2014	REV: 2
Overall Length:	Approx. 2,794mm (9'2")	BY: MPS	
Overall Weight:	Approx. 499 kg (1,100 lbs)	BURIAL DEPTH: 7 Ft	
Working Capacity:	Approx. 9,030L (1,986 Imp Gal, 2,383 US Gal)	DATE:	
Overall Capacity:	Approx. 9,250L (2,035 Imp Gal, 2,442 US Gal)	APPROVAL:	

