

**AGW 5000-L
 FIBREGLASS WATER STORAGE TANK**
 Overall Weight: Approx. 1,020 kg (2,250 lbs)
 Capacity: Approx. 22,730 L (5,000 Imp Gal, 6,000 US Gal)

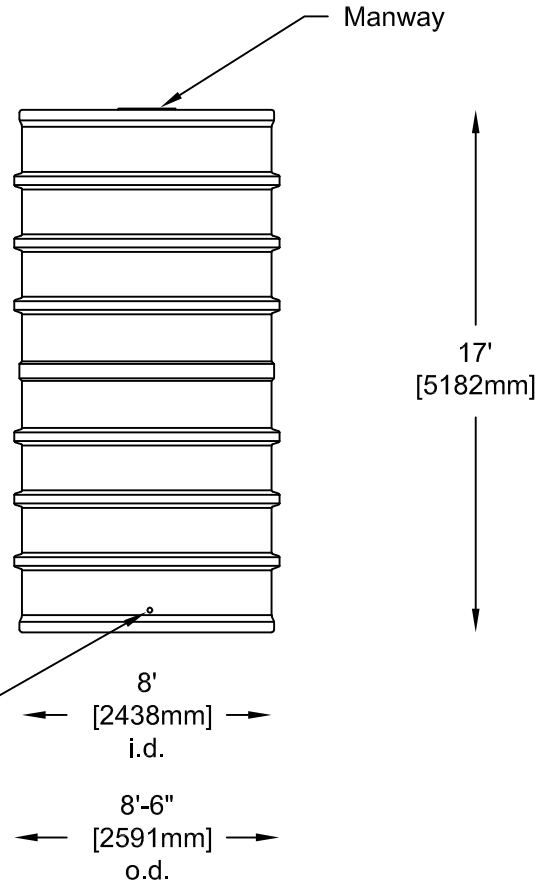
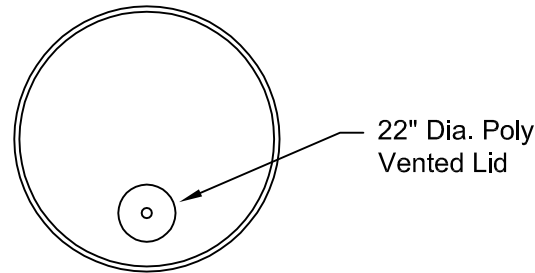


Drinking Water
 NSF/ANSI 61

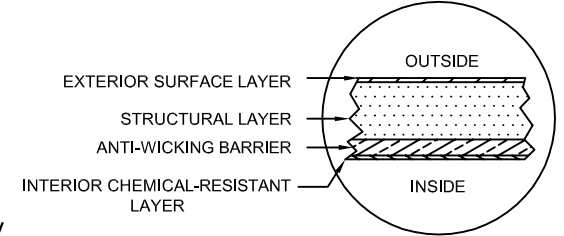
Note:

- Various inlet & outlet fittings available including bulkhead fittings, couplings, pipe, flanged fittings, vents, etc. at extra cost.
- Accessories available such as submersible pump stand, 24" dia. manway with 24" lid & 8" center poly lid, lock bar for 24" lid, ladder, etc. at extra cost.
- Tank comes assembled

TOP VIEW



LAMINATE DETAIL



SECTION-JOINT DETAIL

