

FRP

MANUFACTURING (2010) INC.

www.frpmfg.com
1-866-722-6246

AGW-500-OV-C

FIBREGLASS WATER STORAGE TANK

Overall Weight: Approx. 120 kg (265 lbs)

Capacity: Approx. 2,273 L (500 Imp Gal., 600 US Gal)



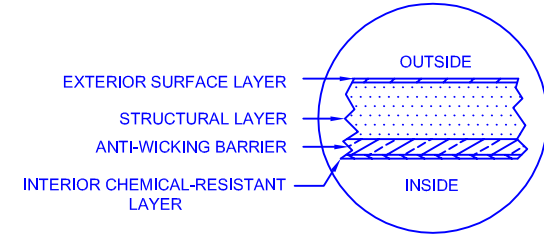
Drinking Water
NSF/ANSI 61

Note:

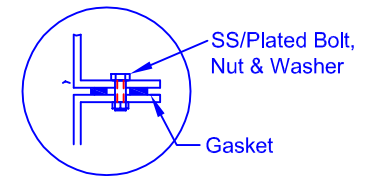
- Various inlet & outlet fittings available including bulkhead fittings, couplings, pipe, flanged fittings, vents, etc. at extra cost.

- Tank comes unassembled (Tank can be assembled at factory at extra cost)

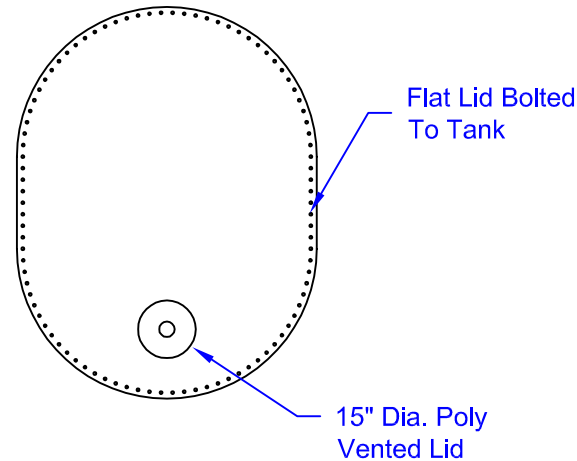
LAMINATE DETAIL



FLANGE CONNECTION DETAIL



TOP VIEW



SIDE VIEW

