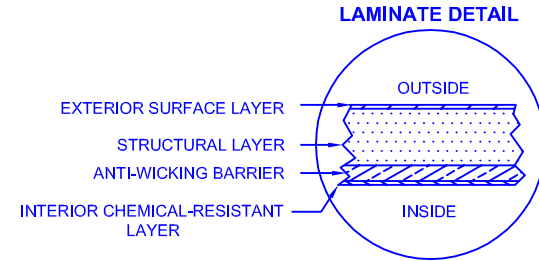
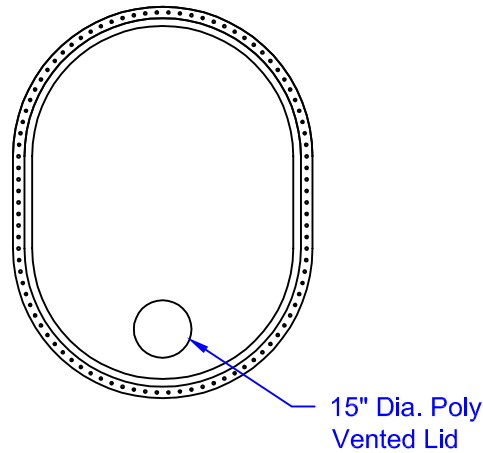


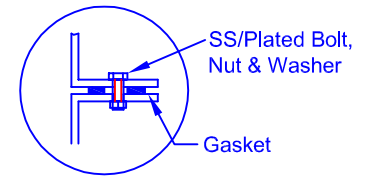
AGW-2500-OV
FIBREGLASS WATER STORAGE TANK

Overall Weight: Approx. 397 kg (874 lbs)
 Capacity: Approx. 11,365 L (2,500 Imp Gal, 3,000 US Gal)

TOP VIEW



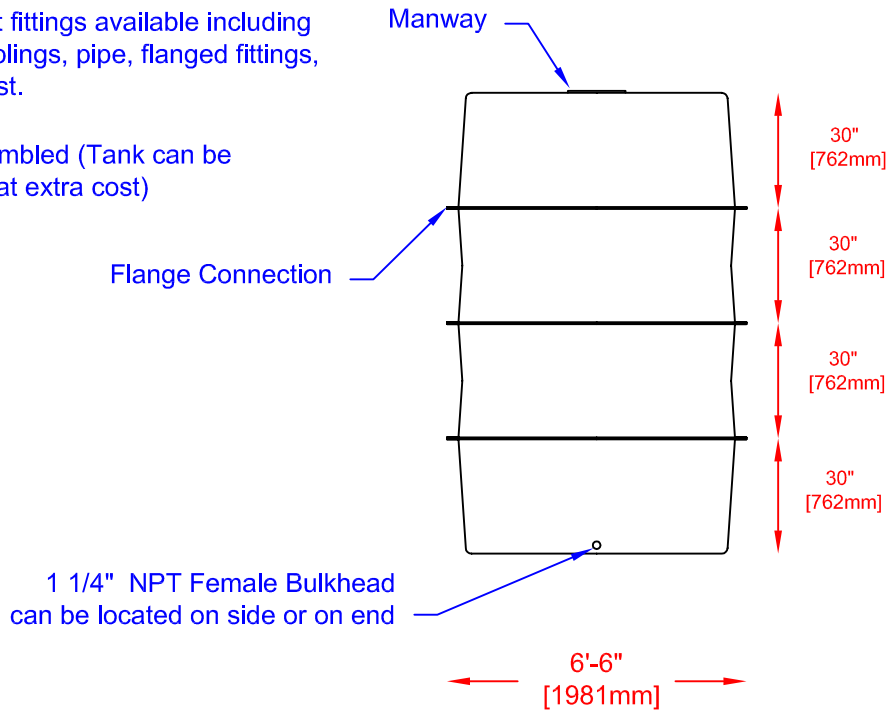
FLANGE CONNECTION DETAIL



Notes:

- Bottom two (2) sections are Heavy Duty.
- Various inlet & outlet fittings available including bulkhead fittings, couplings, pipe, flanged fittings, vents, etc. at extra cost.
- Tank comes unassembled (Tank can be assembled at factory at extra cost)

END VIEW



SIDE VIEW

