

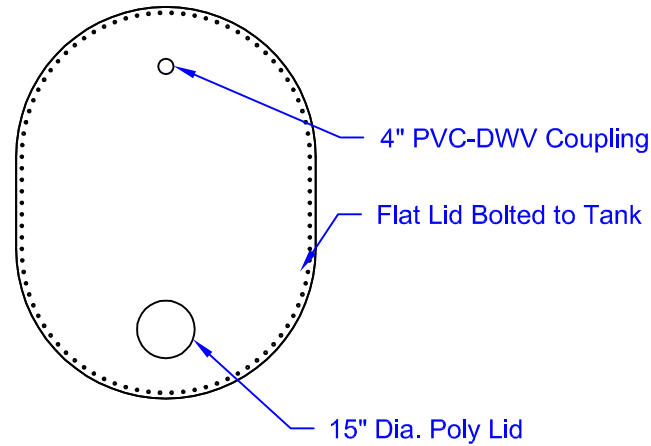
AGS-625-OV
FIBREGLASS SEWAGE STORAGE TANK
 Overall Weight: Approx. 127 kg (280 lbs)
 Capacity: Approx. 2,841 L (625 Imp Gal, 750 US Gal)



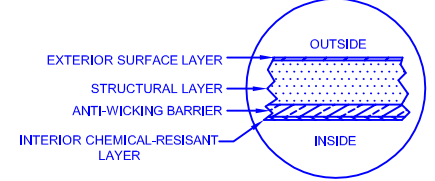
Note:

- Various inlet & outlet fittings available including bulkhead fittings, couplings, pipe, flanged fittings, vents, etc. at extra cost.
- Tank comes assembled

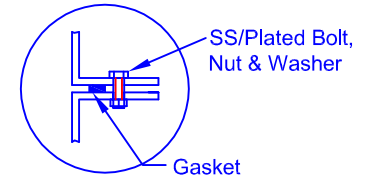
TOP VIEW



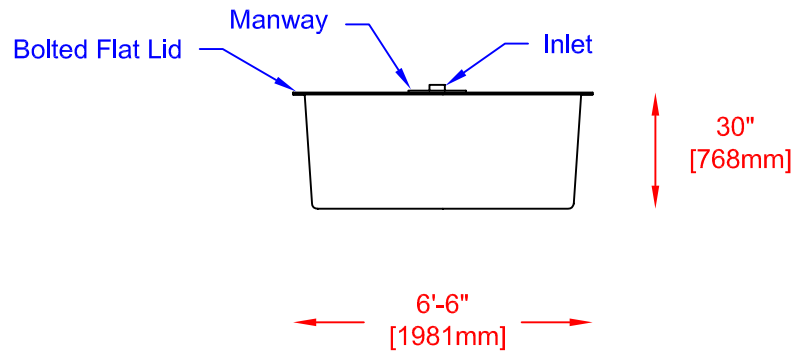
LAMINATE DETAIL



FLANGE CONNECTION DETAIL



END VIEW



SIDE VIEW

