

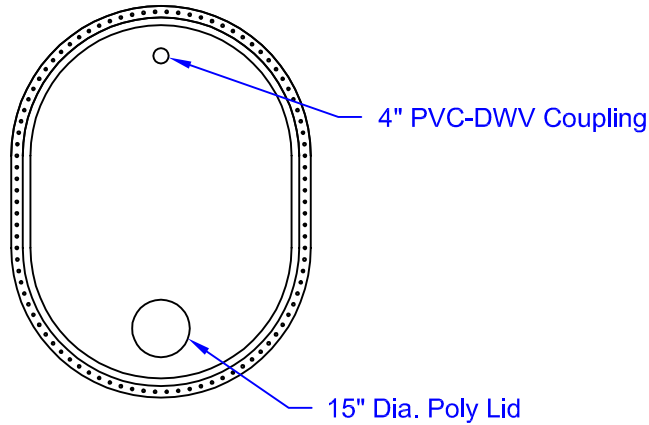
AGS-1750-OV
FIBREGLASS SEWAGE STORAGE TANK
 Overall Weight: Approx. 252 kg (555 lbs)
 Capacity: Approx. 7,956 L (1,750 Imp Gal, 2,100 US Gal)



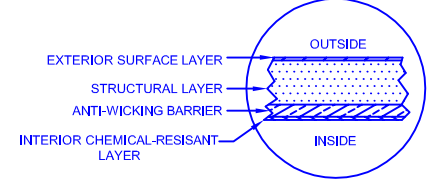
Note:

- Various inlet & outlet fittings available including bulkhead fittings, couplings, pipe, flanged fittings, vents, etc. at extra cost.
- Tank comes unassembled (Tank can be assembled at factory at extra cost)

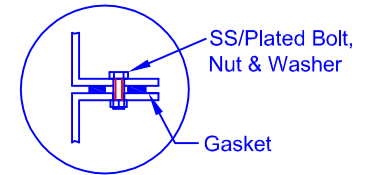
TOP VIEW



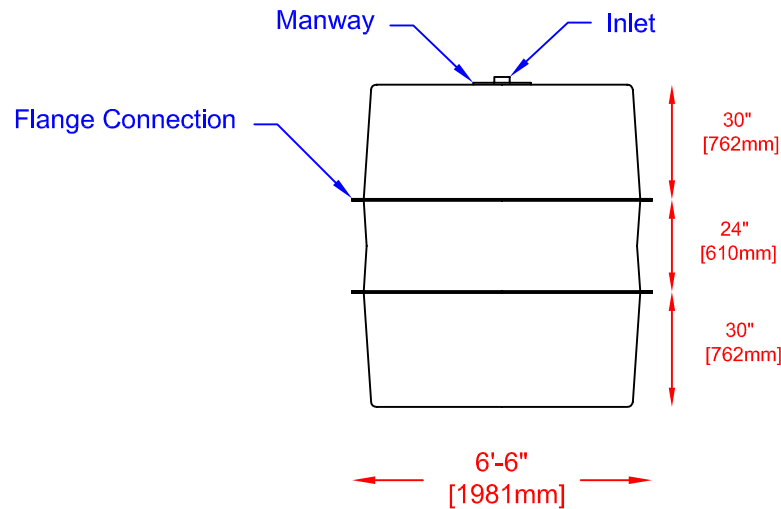
LAMINATE DETAIL



FLANGE CONNECTION DETAIL



END VIEW



SIDE VIEW

